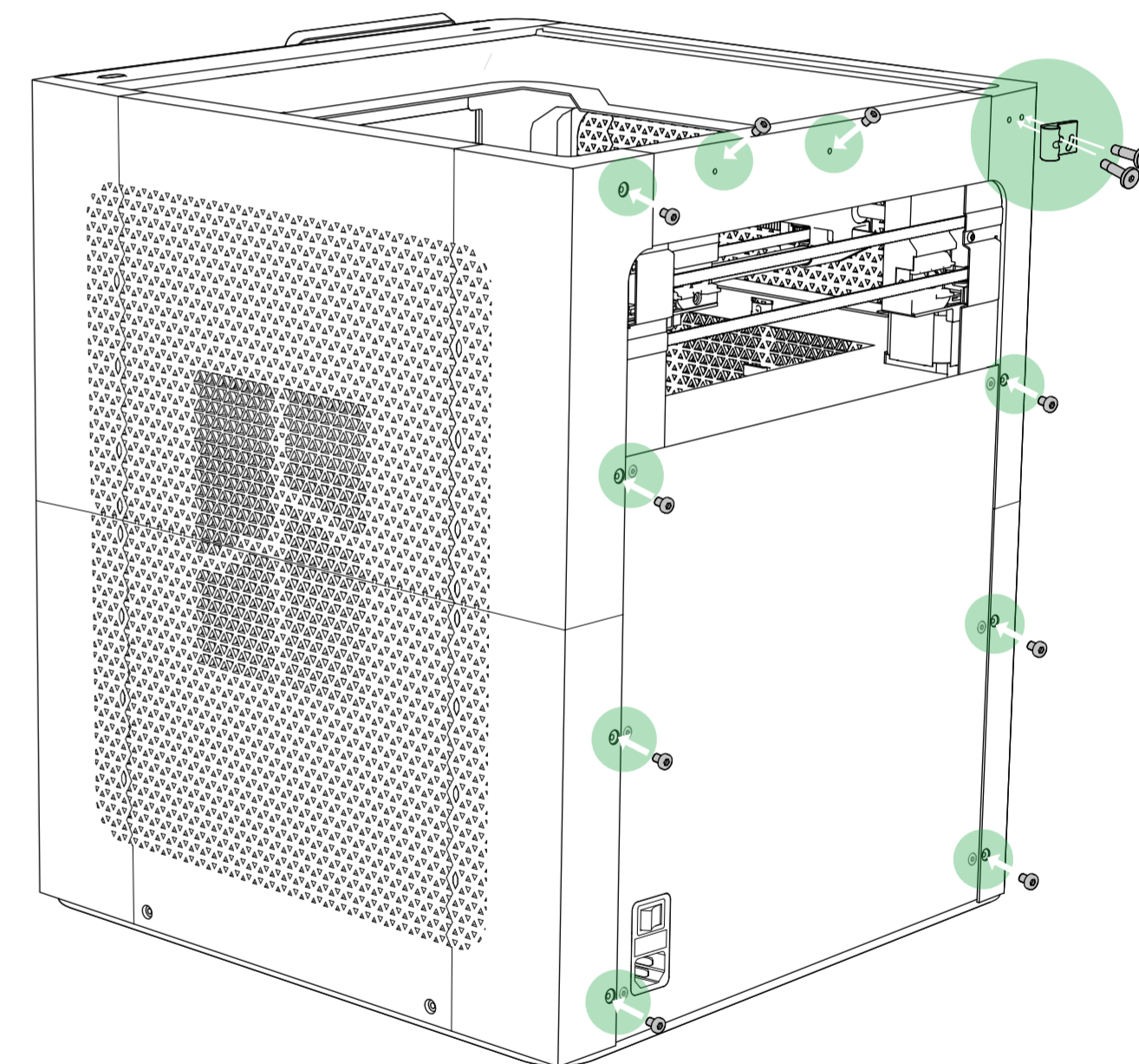
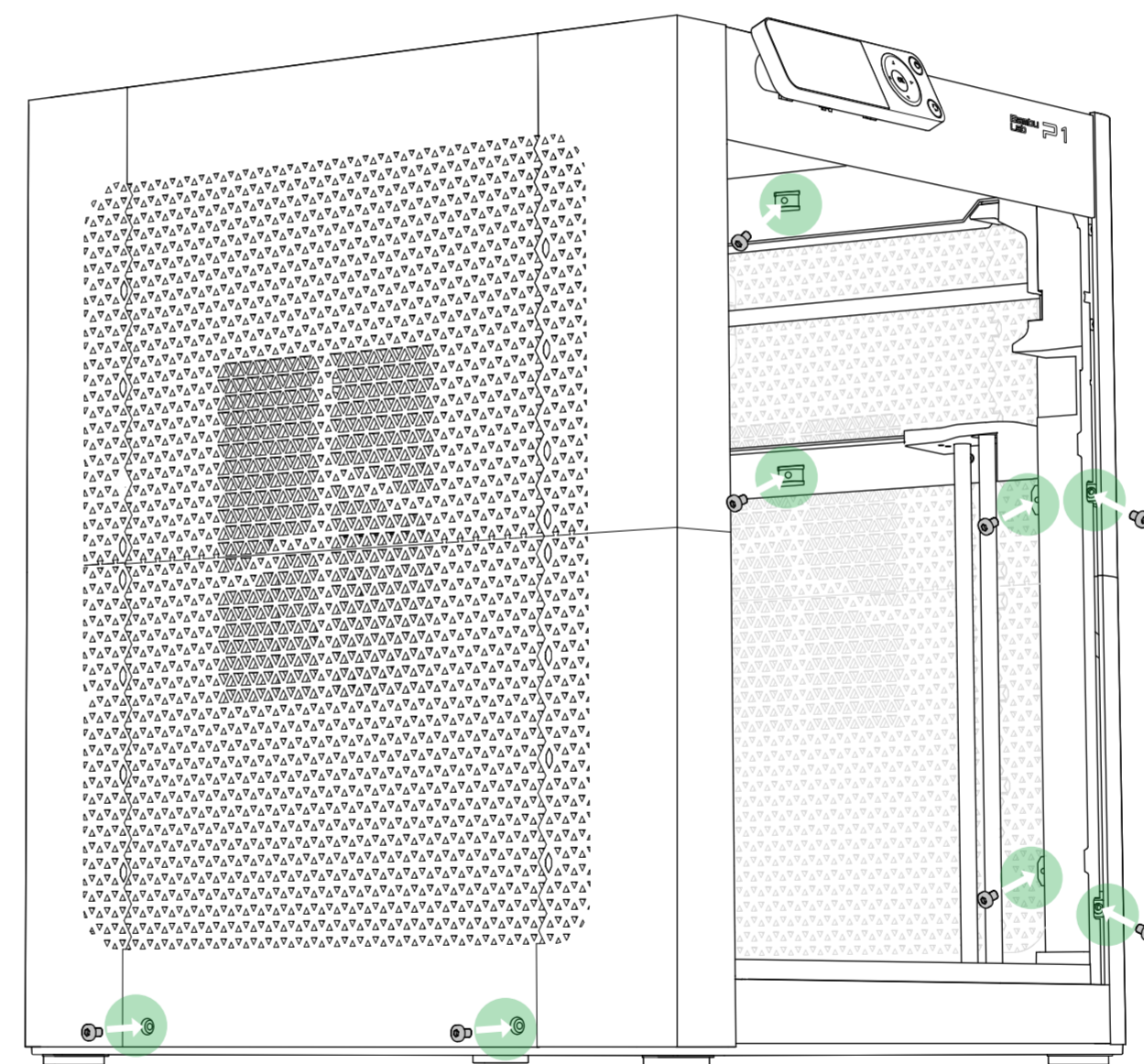
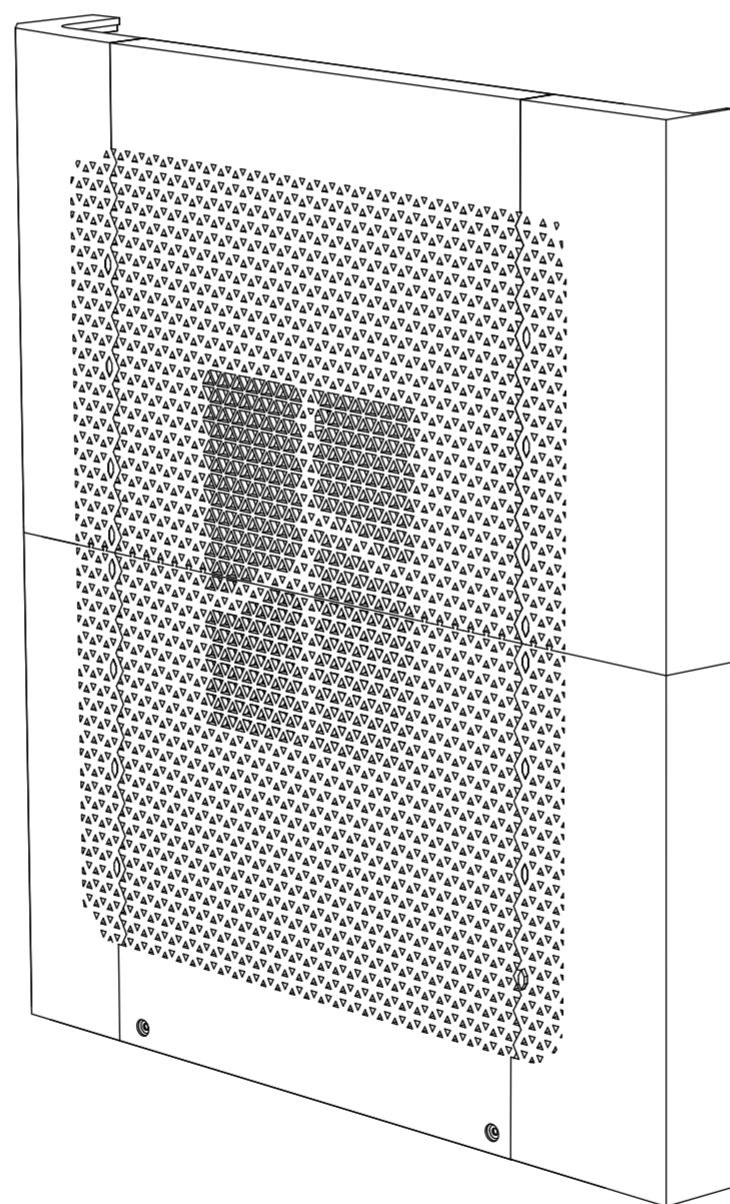
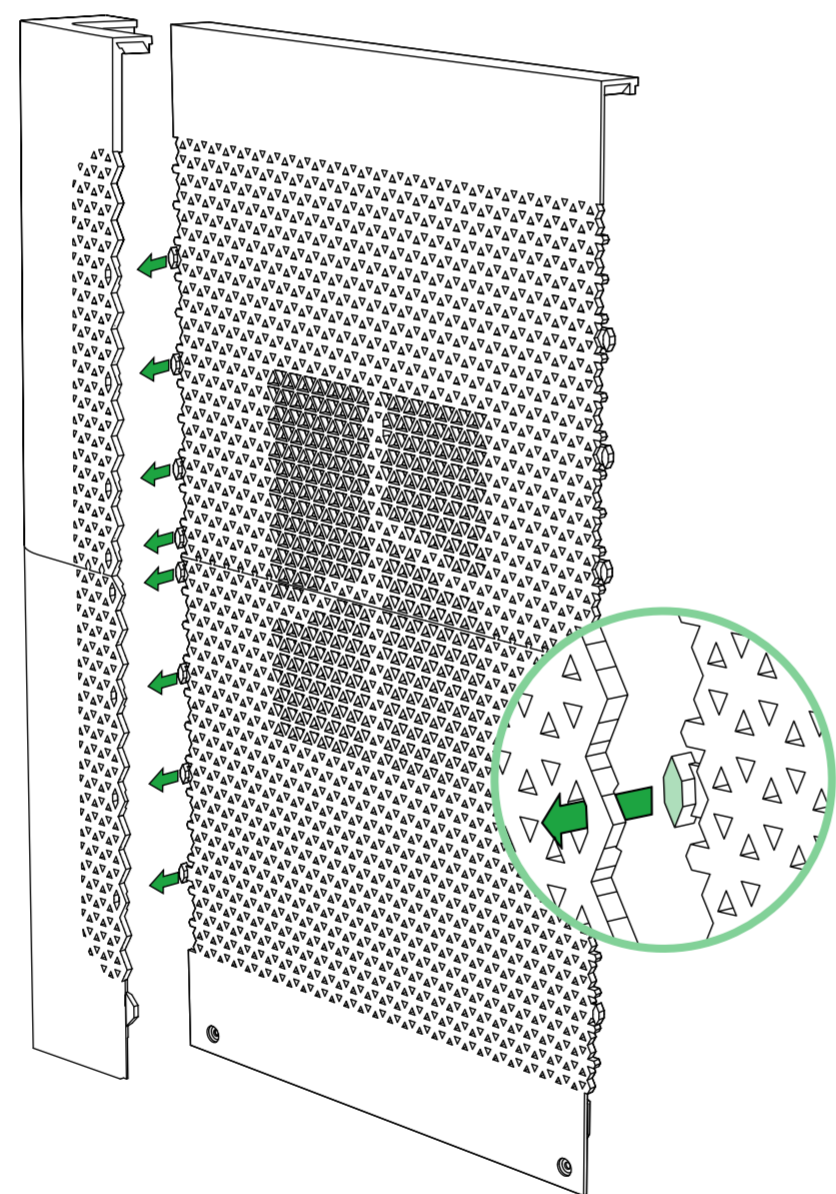
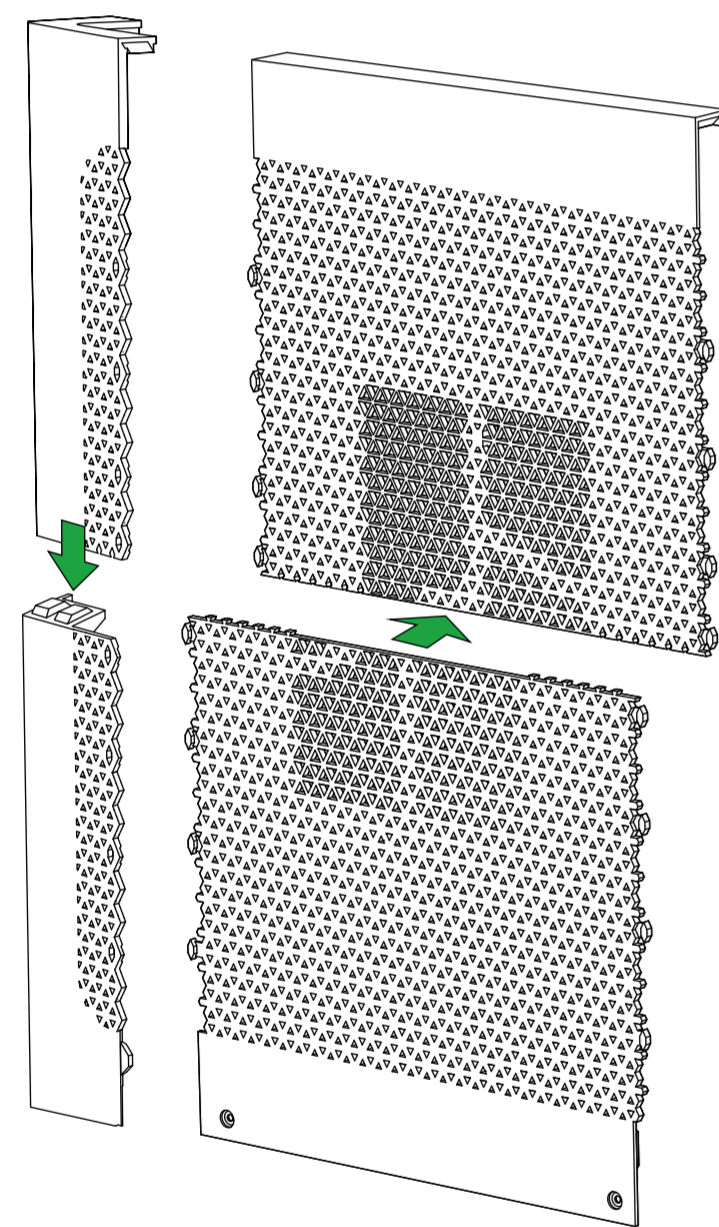


# This assembly guide is compatible with Bambu Lab Edition Modplate and Pegboard Modplate.



 8 X 2 (BT3X5)

Tight screws in the same position  
on the other side

 9  2